

CT220 Counter

CT220 counters would typically be used in a vehicle counting application, where it is required to count the number of vehicles entering and exiting an enclosed area, such as a parking garage. CT220 counters are available in a variety of models in both panel mount and boxed versions for ease of integration into almost any Parking Management system. The visual output is achieved with a four digit, seven segment display which clearly indicates current modes of operation and total counts and the active memory system ensures that the last count is stored during power failures of up to an hour or longer, automatically restoring the count on power-up again.



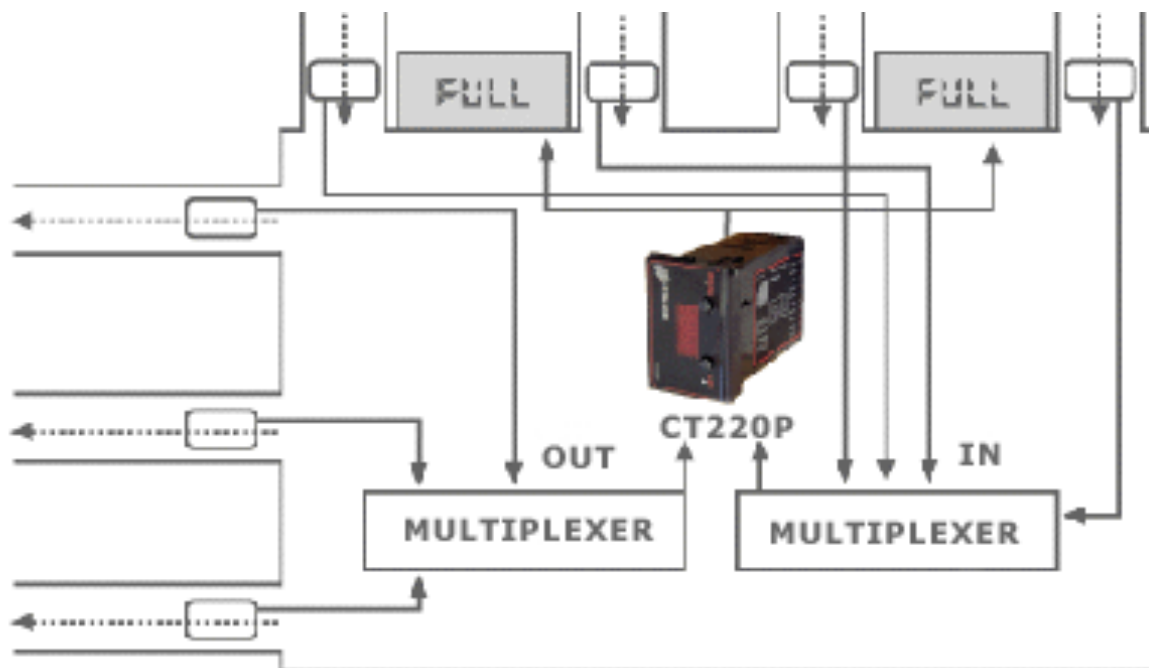
APPLICATIONS

- Parking garage total capacity counting
- Parking garage floor space counting
- Vehicle counting
- Industrial counting

FEATURES

- **Compact Size:** Microprocessor and SMD technologies have combined to allow a reduction in size of the CT220 to allow the counters to be incorporated into all installations.
- **Large Display:** The counters have a large four digit LED display allowing easy visibility of displayed parameters.
- **User Friendly Programming:** All programming is executed on two multi-function pushbuttons and visual feedback is provided on the display making the counter easy to operate.
- **Input Protection:** The two Up and Down count inputs are isolated, buffered and filtered to prevent false counts caused by induced voltages on long input lines.
- **Large Count Capacity:** The four digit display provides for a total count capacity of 9999, sufficient for all car park applications.
- **Power Fail Memory:** Retention of displayed data is guaranteed for a 1 hour period following a power failure. Typically this data is retained for a period of between 3 and 5 hours.
- **Manual Override:** Provides the option to manually override the output relay. In the "Auto" mode the relay will change state at the transition between count values of 0001 and 0000 and remain in this state until a count of 0001 is achieved.
- **Serial Comns:** Panel mount counter available with RS232 + RS485 coms for integration into visual counting systems.

Counting System Using The CT220P & Multiplexer with VMS



CT220 Technical Data

Input Protection:	Optical Isolation. Isolation Voltage: 2500 Vrms.
Spike Filter:	On all inputs. Protects against induced voltages.
Input Actuation:	By contact closure (minimum 50 ms).
Display:	Four digit, seven segment LED Character height = 10mm Maximum count = 9999
Output Relay:	1. Rating: 5 A @ 230V AC Change-over contact Auto or Manual modes possible. 2. Panel Version RS232 or RS485 serial comms.
Controls:	Two multi-function pushbuttons UP (MODE) key for unit up count and secondary mode functions. DOWN (SET) for unit down count and secondary set functions
Restore:	Retrieves stored value.
Reset:	Resets unit to 0001.
Memory:	Retains data prior to a power failure Duration: 1 Hour (minimum)
Power Requirements:	120V AC ±15% 48–60Hz (CT221) 230V AC ±15% 48–60Hz (CT222) 12–24V AC/DC (CT224) Requirements – 1.5VA max @ 230V
Operating Temp Range:	–40°C to +65°C
Material:	High heat ABS blend
Dimensions:	76 mm (high) 40 mm (wide) x 78 mm (deep)
Mounting:	Shelf or DIN-rail socket
Connector:	Single rear mount 11-pin submagnal (86CPII) Option – 1 metre flying lead

CT220 Boxed Counter – Typical Wiring Configuration

PIN	FUNCTION
1	LIVE
2	NEUTRAL
110V = CT221 : 230V = PD222 : 12/24V = CT224	
3	ADD IN 1
4	ADD IN 2
5	OUTPUT RELAY N/O
6	OUTPUT RELAY COMMON
7	SUBTRACT INPUT 1
8	SUBTRACT INPUT 2
9	COMMON
10	OUTPUT RELAY N/C
11	NOT USED